

# AMP1-8-M

## Dual Input SDI 8 Channel Audio Monitor



Compact, low-cost unit to select and monitor up to 8 audio channels from either of two 3G/HD/SD-SDI inputs

The AMP1-8-M offers fast, intuitive operation for monitoring SDI audio in the most demanding production applications.

Whether in the studio or on the road, the AMP1-8-M provides instantaneous selection and summing of any grouping of SDI audio pairs. It features adjustable volume and balance controls, clear display of levels, and phase indications on bright 2.4" LED-backlit LCD displays with configurations that can be created, saved and recalled via Ethernet or USB flash drive using an intuitive PC interface.



### Features

- Simultaneous level metering of 8 de-embedded audio channels from SDI
- High resolution metering with 166-segment displays
- Quick, intuitive push-button selection of any pairs to sum to monitor
- Monitor through built-in speakers, headphones or analog outputs with optional muting for internal speakers
- Stereo or mono monitoring
- Stereo phase indicators
- Adjustable Volume and Balance
- Balanced stereo analog outputs on XLR-Ms. Fixed level or volume/balance controlled.
- Automatic frame rate detection and selection
- Totally digital system architecture with high fidelity Class D amp
- Selectable line level or front panel volume control and outputs
- Shallow chassis depth for easy installation in OB vehicles and consoles

### Part Numbers:

AMP1-8-M 8130-0450 8 Channel, Dual Input 3G/HD/SD-SDI. Audio Monitor. 1RU.

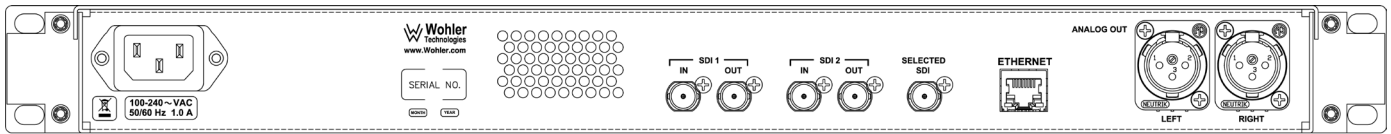
### Similar products also available:

AMP1-16-M 8130-0400 16 Channel, Dual Input 3G/HD/SD-SDI. Audio Monitor. 1RU.

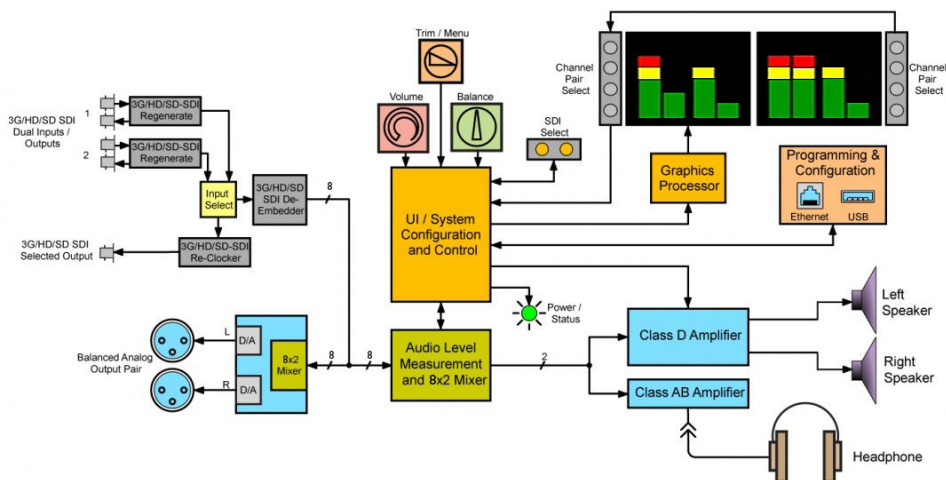
# AMP1-8-M

## Dual Input SDI 8 Channel Audio Monitor

### Rear Panel



### Block Diagram



### Specifications

Dimensions (W x H x D)	1RU in standard 19" rack: 19" x 1.75" x 4.25" (483 mm x 44 mm x 108 mm)
Shipping Weight / Net Weight	7 lbs. (3.2 kg) / 5 lbs. (2.8 kg)
Power Consumption/Requirements	60 W typical, 100 to 240 VAC $\pm$ 10%, 50/60 Hz
Inputs/Outputs	<ul style="list-style-type: none"> <li>• Two 3G/HD/SD-SDI Inputs on BNC</li> <li>• Two looped-through SDI outputs on BNC</li> <li>• One selected SDI reclocked output on BNC</li> <li>• Two balanced analog outputs on XLR-M</li> <li>• 1 headphone (1/4" jack)</li> <li>• Ethernet</li> </ul>
Display Type	Two 2.4" LED-backlit LCDs
Power Output	6 W RMS per side, 12 W peak
Frequency Response	150 Hz to 16 kHz ( $\pm$ 5 dB) acoustic, 40 Hz to 20 kHz ( $\pm$ 1dB) electrical
Level Metering	Simultaneous average and PPM; Phase
Acoustic Output	90 dB SPL @ 2 feet
Interfaces	<ul style="list-style-type: none"> <li>• Optional PC control software</li> <li>• Front panel USB port for preset storage/transfer</li> </ul>

#### 三友株式会社

東京本社 〒141-0022 東京都品川区東五反田1-2-33 白雉子ビル9F

代表 TEL 03-6408-1450 / FAX 03-3440-7755

NHK営業事業部 03-3463-1608 / 関東営業所 029-851-0591 / 勝田オフィス 029-264-2486

/ 大阪営業所 06-6452-4501 / 九州営業所 092-282-3622 / 大分営業所 097-567-3227