

iVAM1-3



3G-SDI & Analog Video/Audio Monitoring & Metering with Optional Signal Upgrades



16 channel, triple screen, 3G-SDI & Analog Audio & Video Monitor with optional 2022-7 support, plus options to license additional input signals.



The new iVAM1-3 is a well featured, easy to use, competitively priced 16 channel video and audio monitor which comes standard with 3G-SDI and Analog inputs and includes Loudness measurement, phase status and HDR detection. License other signal formats and processing options, including Dolby, AoIP, Toslink and 8 channel Analog, as and when needed, either initially or after purchase. With touch screen operation and three screens, the iVAM1-3 is the perfect solution for any application that requires a compact product for simple-to-complex monitoring of an evolving range of professional signals.

Flexible. Adaptable. Future Proof.

iVAM1-3 is designed to be easy to operate, providing fast access to video, meters, menus and presets. Options for additional signals, including AES3, MADI64, Dante™, Ravenna™, SMPTE-2110 and SMPTE-2022-7.

Features/Benefits:

- Video and audio monitoring (up to 16 channels) from multiple sources
- Up to 64 presets
- 2 x 3G-SDI Inputs on BNC; 1 x 3G-SDI Output of selected video source on BNC + 1 pair Analog in/out on XLR
- Optional Output routing enables the flexibility to route input signals to various outputs
- Optional I/O for AES3 on HD-15 (incl selected audio source converted to AES3 out), MADI on BNC (looped out), and SMPTE 2110 or SMPTE 2022 via SFP.
- HDMI Output of the monitored video source included
- Measure Audio Loudness using ITU-R BS.1770 or EBU R128 standards
- Option cards for AoIP or an additional 8 channels of analog inputs and outputs
- Software upgradeable via USB or network
- APIs for remote management

Model	Part ID	Description
iVAM1-3 (Base Unit)	8121-0100	1RU Base unit, includes SDI & Analog as standard
I/O Options		
OPT-AES	829080	Enables decoding and monitoring of 4 x AES inputs, 1 AES Output
OPT-MADI	829092	Enables decoding and monitoring of 1 x MADI64 input via BNC
OPT-DOLBY (iVAM)	829174	Allows decoding and monitoring of Dolby® D, DD+ & E. Includes Dolby zoom & metadata
SFP-MM-MADI-FIBER	829081	MADI fiber transceiver, Multimode; LC Connectors
SFP-SM-MADI-FIBER	829082	MADI fiber transceiver, Single mode; LC Connectors
SFP-SDI	829089	3G/HD/SD-SDI single video receiver w/ active loopback, HD-BNC
SFP-SDI-Fiber	829084	3G/HD/SD-SDI or ASI single receiver w/ active loopback, HD-BNC
SFP-2110 w/Ember+	829086	Receiver; Multi-Mode 850 NM, LC Connectors
SFP-2110 w/NMOS	829086-1	Receiver; Multi-Mode 850 NM, LC Connectors
SFP-2022	829088	Receiver; LC Connectors
SFP-2110 w/Ember+ +2022-6	829087	Either-Or; Multi-Mode 850 NM, LC Connectors
SFP-2110 w/NMOS+2022-6	829087-1	Either-Or; Multi-Mode 850 NM, LC Connectors
OPT-OUTPUT ROUTING	829159	Enables the flexibility to route input signals to various outputs
Option Cards		
OPT-ANLG/TOS (iVAM)	829170	Enable monitoring of 8 Analog channels on DB-25. TOSLINK included.
OPT-DANTE (iVAM) ** Inc. AoIP Card	829171	Enable decoding and monitoring of Dante™ input streams. ** Inc. AoIP card. Enables 2 x RJ-45 ports for 2022-7 support (for Dante, Ravenna and 2110-30) + SFP cage allowing MM and SM SFP's for AoIP Signals. TOSLINK included.
OPT-RAVENNA 64 (iVAM) ** Inc. AoIP Card	829172	Enable monitoring of up to 64 ch Ravenna™ / AES67 Input. NMOS support. TOSLINK included.

iVAM1-3



3G-SDI & Analog Video/Audio Monitoring & Metering with Optional Signal Upgrades

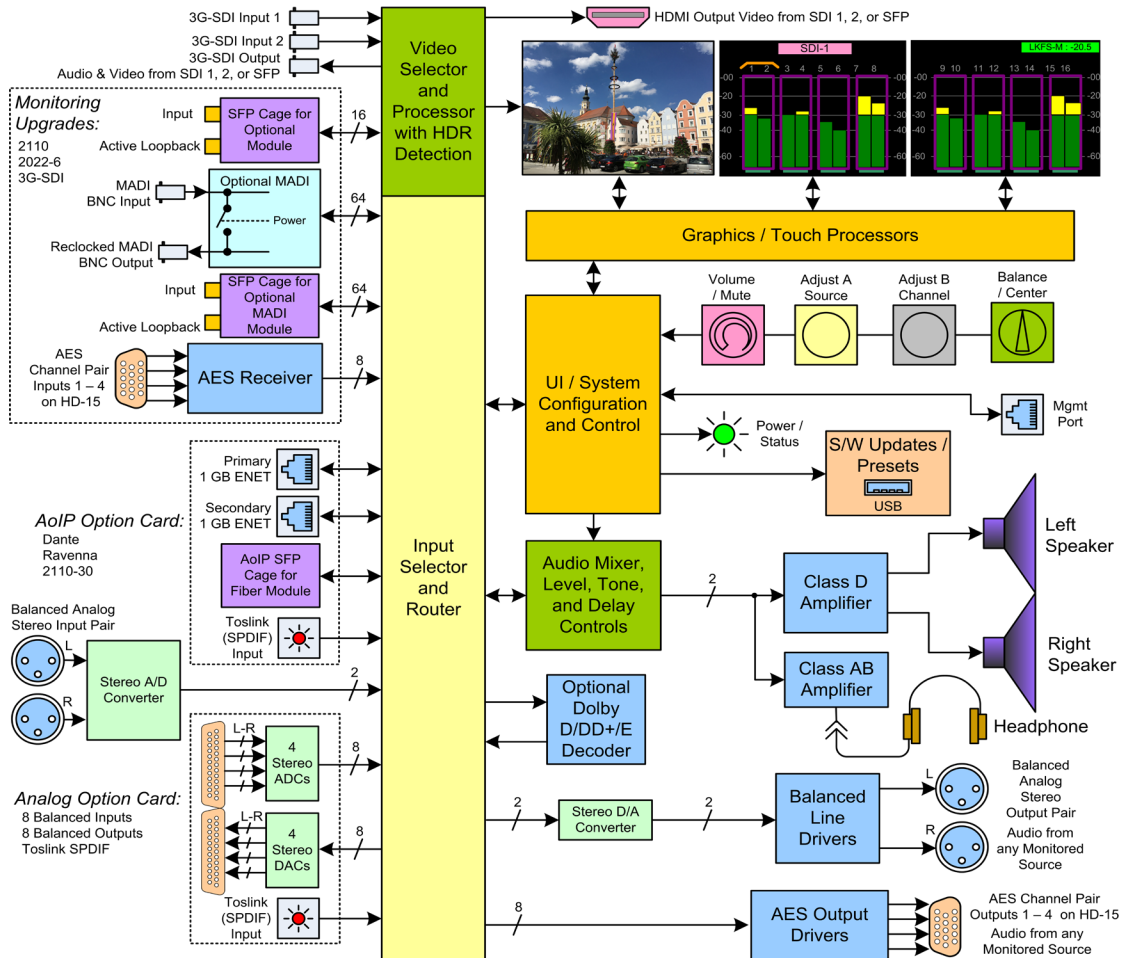
Rear Panel & Option Cards



* OPT-DANTE & OPT- RAVENNA prices include AoIP card.

* Only 1 x AoIP card or 1 x OPT-iVAM-ANALOG may be fitted at one time.

Block Diagram



Specifications

Dimensions (W x H x D)	1RU in standard 19" rack: 19" x 1.75" x 5.5" (483 mm x 45 mm x 140 mm). Shipping dims: 23"x 6"x 12"
Shipping Weight / Net Weight	8.0 lbs. (3.6 kg) / 5.5 lbs. (2.5 kg)
Power Consumption / Supply	65W, 100 to 240 VAC ± 10%, 50-60 Hz, CE & UL approved
Display Type / Resolution	2.4" (60 mm) LCD Capacitive Touchscreen; 320H x 240V
Viewing Angle	160 (H) x 160 (V)
Audio Channels	16 Max
Hum and Noise	Better than -68 dB below full output
Peak Acoustic Output	90 dB SPL @ 2 feet
Speaker Power Output	5W RMS per side, 12W Peak
Upgrades	Via USB or GUI web interface
APIs	Provide easy integration with 3 rd party control systems

三友株式会社

東京本社 〒141-0022 東京都品川区東五反田1-2-33 白雉子ビル9F 代表 TEL 03-6408-1450 / FAX 03-3440-7755
 NHK営業事業部 03-3463-1608 / 関東営業所 029-851-0591 / 勝田オフィス 029-264-2486
 / 大阪営業所 06-6452-4501 / 九州営業所 092-282-3622 / 大分営業所 097-567-3227